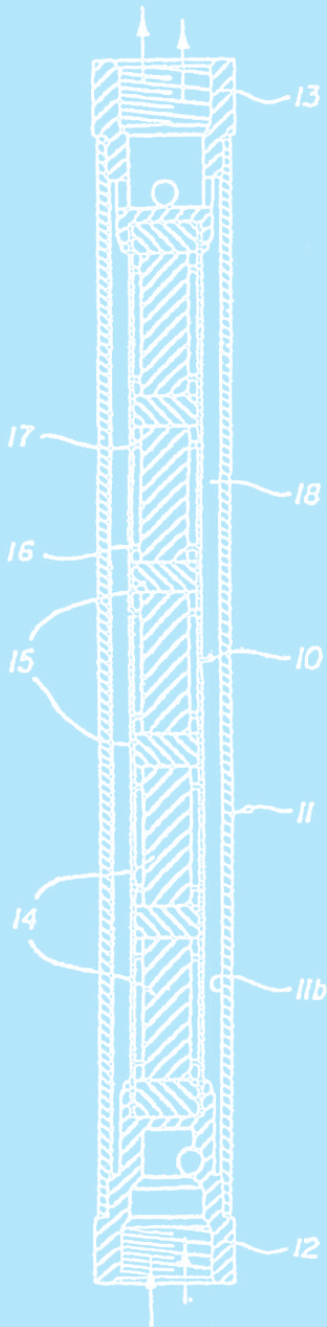


# SONATEC, A START-UP WITH 35 YEARS OF EXPERIENCE

## THE SWISS SME WHERE WATER FLOWS NATURALLY



**sonatec**  
*plus*

Designed by Gilbert Sonnay, the **sonatec plus** system (filtration, MHD, settings) is notably able to restore the original energetic nature in water. This invention was jointly developed with a chemist, an EPFL physicist, and a precision engineer, and then tested over many years. The system is fully natural, as it operates without salts, gases, or chemical additives, and is based on magnetohydrodynamics:

$$\vec{E} = E_0 \exp. \frac{-R}{\sqrt{\frac{\epsilon \cdot k \cdot T}{2n_0 \cdot q^2}}}$$

Angle and speed of water in relation to magnetic fields, determine calcium and magnesium to remain in ionic state and not precipitate. Control over germination prevents up to 80% of precipitation of limestone and 98% of corrosion. Water pipes, boilers, and household appliances are thus protected.

**sonano**  
*extreme*

**sonano extreme** is a portable device for filtering and purifying fresh water. The device is light (9 kg), portable, robust, environment-friendly, and was specifically designed to pump fresh water (even if heavily polluted) and to produce high-purity drinking water, without any chemical additives.

**sonano extreme** is designed for expeditions, rescue services, humanitarian missions, caravan and camping sites, outdoor events, etc.



PHOTO : F. Othenin-Girard

### Gilbert Sonnay

Inventor of processes for environmental-friendly water treatment.

35 years of commitment to sustainable development. First patent registered in 1982.



# PATENTS & AWARDS

16 awards since 1985.



International Exhibition of Inventions Geneva 2016:

- Gold medal and IFIA Award for **sonano extreme**;
- Gold medal for the **sonatec plus** system.



International Invention Fair of the Middle-East in Kuwait-City 2018:

- Gold medal and IFIA Award for the **sonatec plus** system;
- Silver medal for **sonano extreme**.

Over the last thirty years, Gilbert Sonnay has seen it all, from commercial success (sales and distribution all across Europe) to patent wars.

## A NEW START

After developing a new business plan, Gilbert Sonnay was able to raise funds in 2017, which are now being used for:

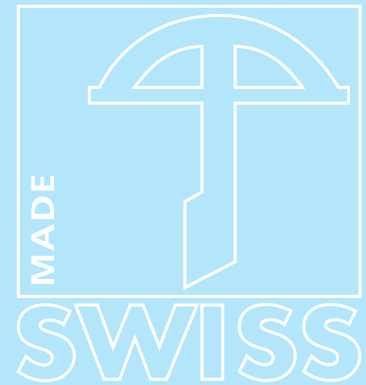
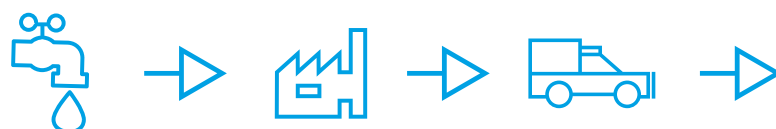
- 1 Installing a production facility allowing full control of the manufacturing process of **sonatec** systems, as well as qualifying for the *SWISS LABEL* trademark.



- 2 Developing new environment-friendly products (water softeners, water dispensers for the foodservice industry, osmosis units without water loss for industrial purposes, etc.)

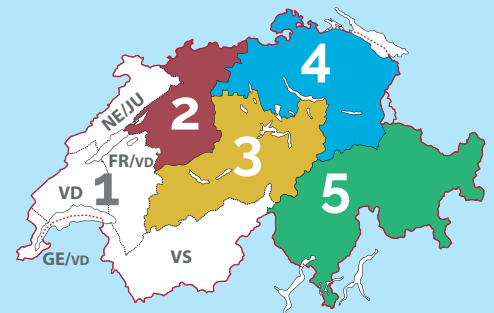


- 3 Developing a sales network for Switzerland and international markets.



## SALES NETWORK

A new team is now being set up. The new organisation is based both on strengthening internal expertise (R&D, business development, management, etc.) and building partnerships with new entrepreneurs who are ready to engage in **sonatec**'s new venture, and represent the company as a franchise throughout Switzerland.



If you wish to become a partner, please contact [inter@sonatec.ch](mailto:inter@sonatec.ch) or +41 21 906 63 55